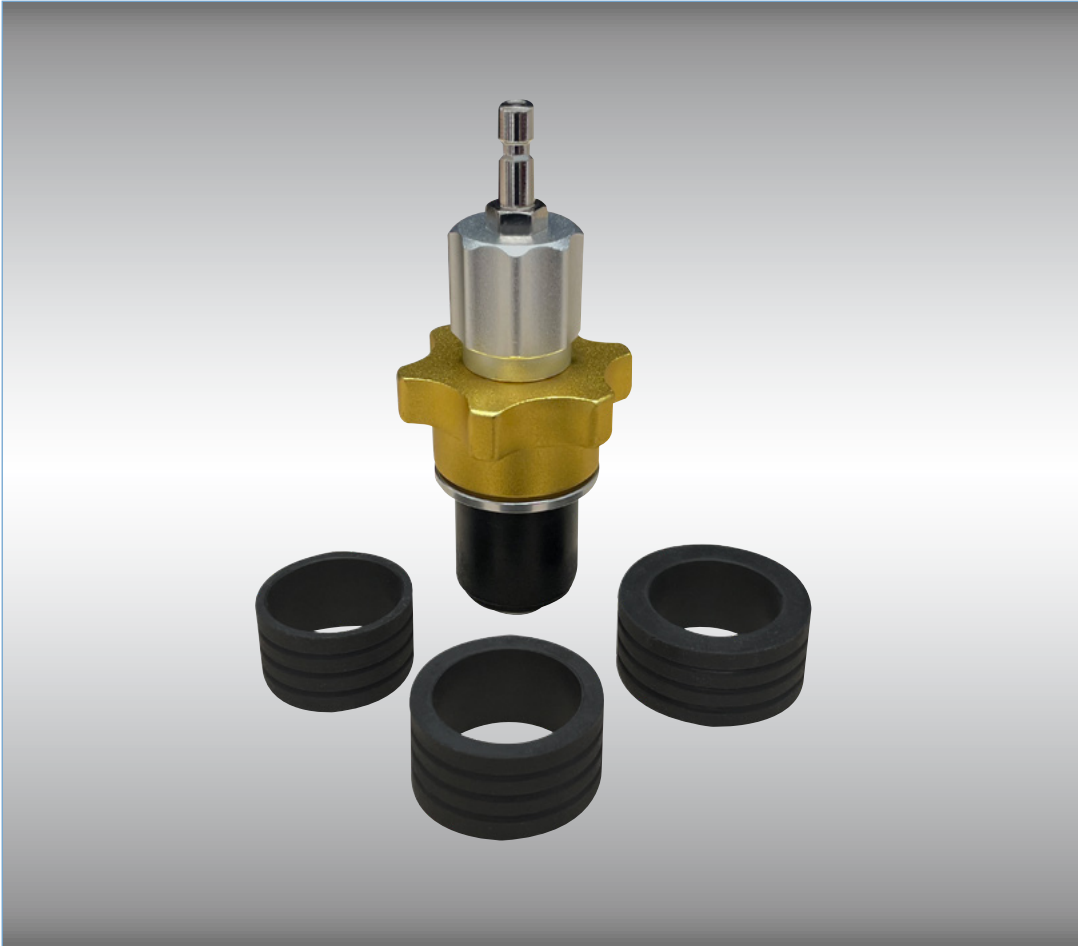




Mastercool[®] Inc.
"World Class Quality"

1 ASPEN DRIVE, RANDOLPH, NJ 07869
PHONE: 973-252-9119 / FAX: 973-252-2455
WEB: WWW.MASTERCOOL.COM

43301-PTA UNIVERSAL COOLING SYSTEM ADAPTER KIT



SPECIFICATIONS:

41018A

Radiator Adapter

43012-2F

Sealing Collar with Fitting

43012-35

OD35 x ID30 Rubber Ring

43012-39

OD39 x ID30 Rubber Ring

43012-44

OD44 x ID30 Rubber Ring

Mastercool's universal cooling system adapter is used with our 27 piece master radiator pressure test kit (43301-A) and the 14 piece universal cooling system pressure test kit (43300).

- UNIVERSAL DESIGN will fit most automotive radiators and expansion tanks
- PRESSURE TEST using the 43301-A or 43300 hand pump
- VACUUM TEST using the 43301-A vacuum system filler kit or the 43013 vacuum system filler
- ULTIMATE COVERAGE provided by 3 rubber ring gaskets included in the kit
- SECURE FIT using the simple twist style design