


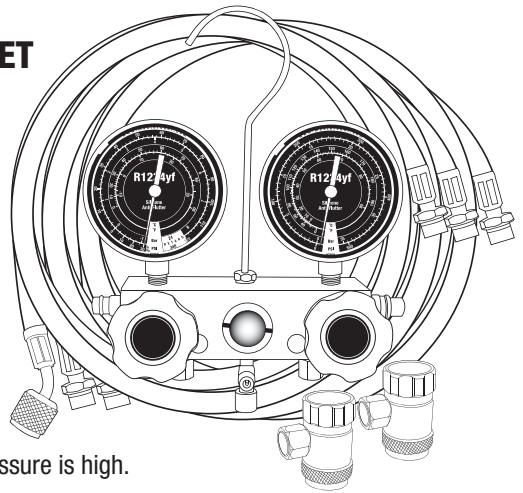
OPERATING INSTRUCTIONS

R1234yf MANIFOLD GAUGE SET

WARNING

 Wear Safety Goggles

 Avoid Contact with Refrigerant



TROUBLESHOOTING TIPS

- Low side and high side pressure are low.
Usually indicates a low charge.
- Low side pressure is low and high side pressure is high.
Usually indicates a blockage in the system.
(i.e. expansion of valve or orifice tube.)
- Low side pressure is high and high side pressure is low.
When accompanied by a vibrating gauge needle, usually indicates faulty reed valves in compressor.
- Low side and high side pressures are high.
Usually indicates an over charged system.

HOOK-UP FOR SYSTEM DIAGNOSIS

- Verify that service ports are clean and free of metal shavings.
- Verify that both valves on the manifold are shut completely.
- Connect blue adapter to low side service port (5).
- Connect red adapter to high side service port (4).
- Start engine. Turn A/C mode selector to HIGH and fan to HIGH.
- Observe pressure on the manifold gauges and refer to your automotive manual for proper diagnosis.

CHARGING REFRIGERANT

- a. Verify that both valves on the manifold are shut completely.
- b. Turn on car and A/C system, (this will aid in charging of the refrigerant.)
- c. Connect the other end of the yellow hose (3) to Refrigerant Gas supply. (*Follow refrigerant manufacturer's instructions for proper dispensing.*)
- d. Connect vacuum pump to center tee and remove air from yellow hose and manifold (*vacuum pump hose not included.*)
- e. Open manifold low side (blue) valve slowly until pressure reaches 42 psi. Do not exceed 42 psi during the recharging process. Exceeding 42 psi could damage the compressor.
- f. When charging is finished, close low side (blue) valve.

SYSTEM SCHEMATIC

1. Low side (blue) hose/adapter.
(12mm-M fittings on both sides meets SAE J2888, EPA, SAE & UL standards)

2. High side (red) hose/adapter.
(12mm-M fittings on both sides meets SAE J2888, EPA, SAE & UL standards)
3. Service (yellow) hose.
(Yellow hose 12mm fitting on one side and 1/2 x 16 LH acme on the other meets SAE J2888)
4. Compressor discharge service valve.
(R1234yf couplers with extended disconnect protection sleeve meets SAE J639 & J2888)
5. Compressor suction service valve.
(R1234yf couplers with extended disconnect protection sleeve meets SAE J639 & J2888)

