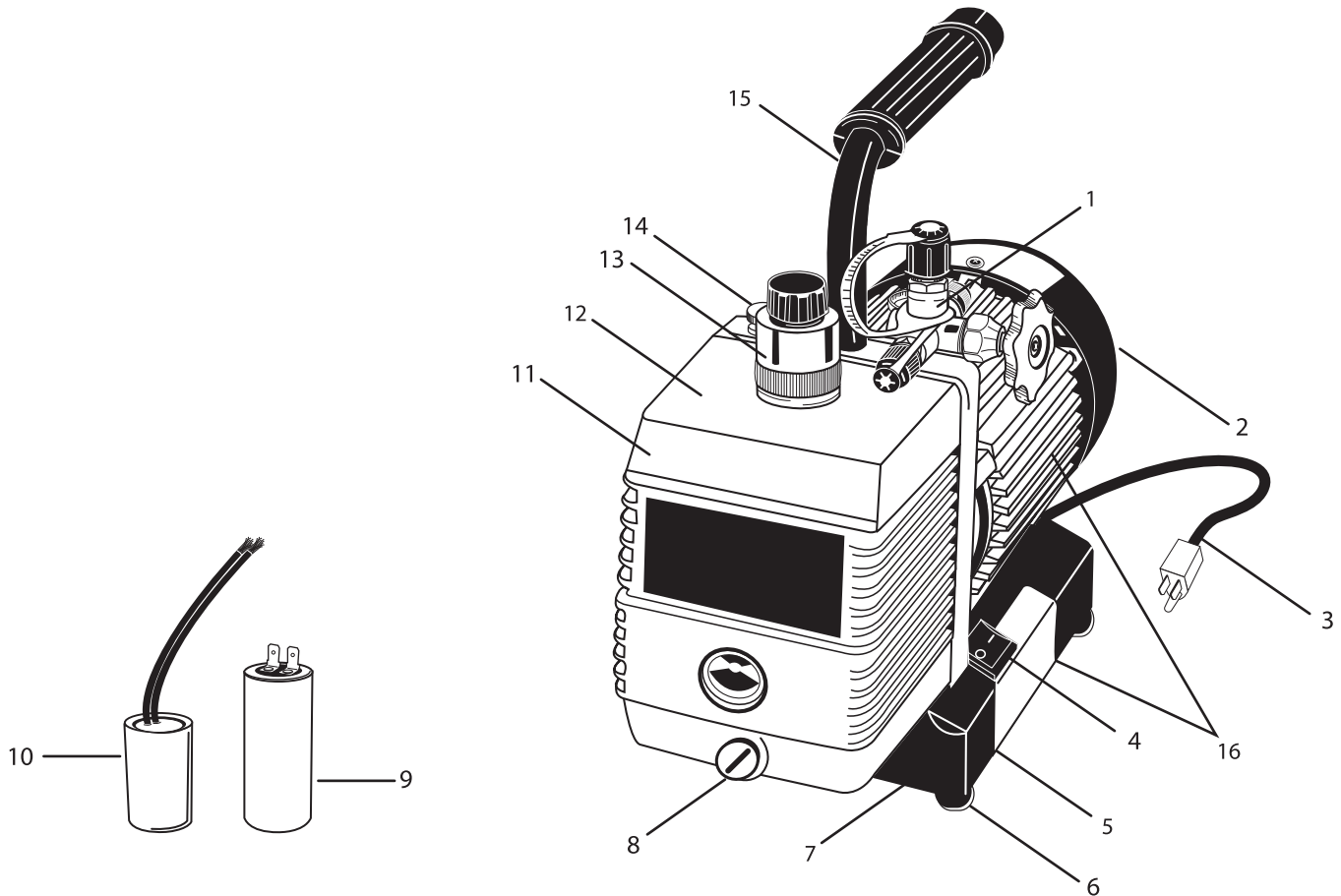




**Mastercool**<sup>®</sup>  
"World Class Quality"

## 5 CFM TWO STAGE VACUUM PUMP

### 90066 Repairable Parts Breakdown



REF.#	DESCRIPTION	PART #
1.	VALVE WITH CAPS	90056-01
2.	FAN COVER	90066-FC
3.	POWER CORD	6534-01-66
4.	ON/OFF SWITCH	98300-006-66
5.	BASE PLATE	90066-BP
6.	RUBBER FEET	90066-15
7.	BASE COVER	90066-BC
8.	OIL DRAIN FITTING	90066-28
9.	75 µF STARTING CAPACITOR	90066-002
10.	20 µF CAPACITOR	90066-003
11.	PUMP COVER	90066-12
12.	PUMP CARTRIDGE HOUSING COMPLETE	90066-BODY
13.	INLET/OIL FILL EXHAUST PORT	90066-10
14.	GAS BALLAST VALVE	90052-29
15.	HANDLE WITH RUBBER GRIP	90066-H
16.	COMPLETE MOTOR, ELECTRICAL & CABLE ASSEMBLY	90066-MOTOR