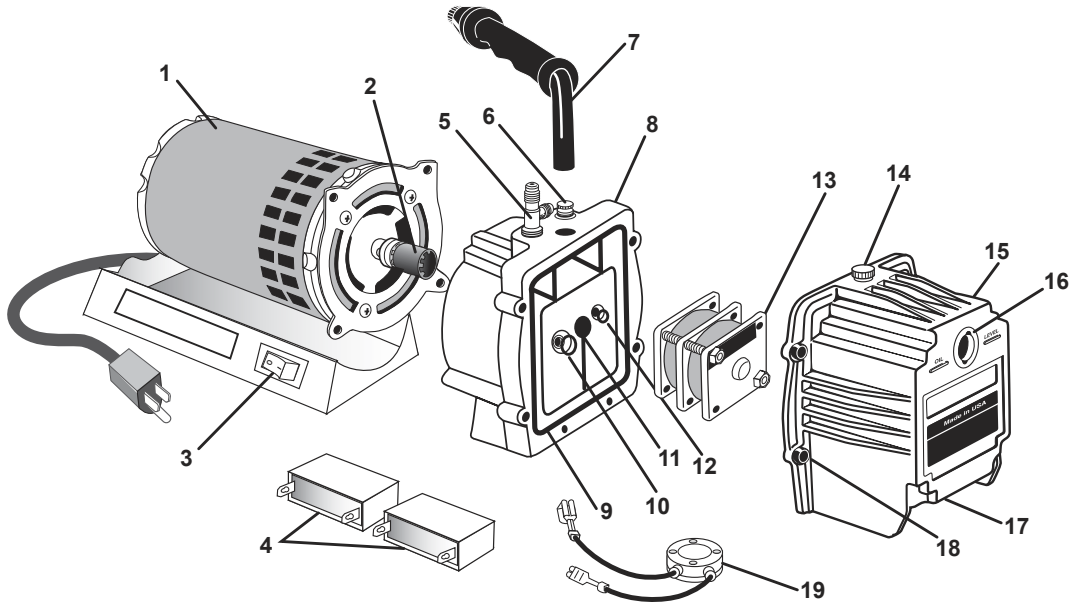




Mastercool[®] Inc.
"World Class Quality"

2 STAGE VACUUM PUMP

**TROUBLESHOOTING
 (90060)**



ISSUE	SOLUTION
1. Pump is locking up	<ul style="list-style-type: none"> • Change cartridge (part # 90160-R) • Possible motor replacement Motor (50/60 Hz 1/6HP) (part # 90060-001-220V)
2. Pump is leaking	<ul style="list-style-type: none"> • Change seals Shaft seal (part # 90060-06) Smaller O-ring on housing (part # 90052-23) Pump cover gasket with lip (part # 90060-13)
3. Motor spins with no vacuum	Replace coupler (part # 90062-02)

REPLACEMENT PARTS

REF #	DESCRIPTION	PART #	REF #	DESCRIPTION	PART #
1.	MOTOR 110-220V 50/60Hz 1/6 HP	90060-001	11	SHAFT SEAL	90060-06
2.	SHAFT COUPLER ASSEMBLY	90060-02	12.	SMALLER O-RING ON HOUSING	90052-23
3.	ON/OFF SWITCH (1 / 0)	98300-006	13.	CARTRIDGE KIT (1.5 CFM or 42 LIT/MIN)	90160-R
4.	CAPACITOR (1 pc.) - 2 REQ. FOR EA. PUMP	90050-003	14.	OIL FILL PLUG W/O-RING	90052-30
5.	INTAKE TEE	90052-31	15.	PUMP COVER	90060-12
6.	GAS BALLAST FITTING WITH O-RING	90052-29	16.	SIGHT GLASS ASSEMBLY	90052-14
7.	PUMP HANDLE WITH GRIP AND PLUG	90060-40	17.	DRAIN VALVE	90052-28
8.	PUMP HOUSING	90060-11	18.	COVER CAP SCREW (1 pc.)	90052-33
9.	PUMP COVER O-RING	90060-13	19.	THERMISTOR	90050-002
10.	SUCTION O-RING	90060-22	(TO SPECIFY 220V MOTORS, ADD -220 TO PART#)		

LIMITED WARRANTY INFORMATION

Vacuum Pumps are warranted against defects in material and workmanship for a period of one year. This warranty does not cover failure due to abuse, improper usage, or progressive wear and tear. Warranty becomes valid to the original owner and is effective on the purchase date. WARRANTY SERVICE IS PROVIDED THROUGH THE FACTORY ONLY. Please contact the service department toll free for parts, service concerns, or to obtain a return authorization number for warranty repair.