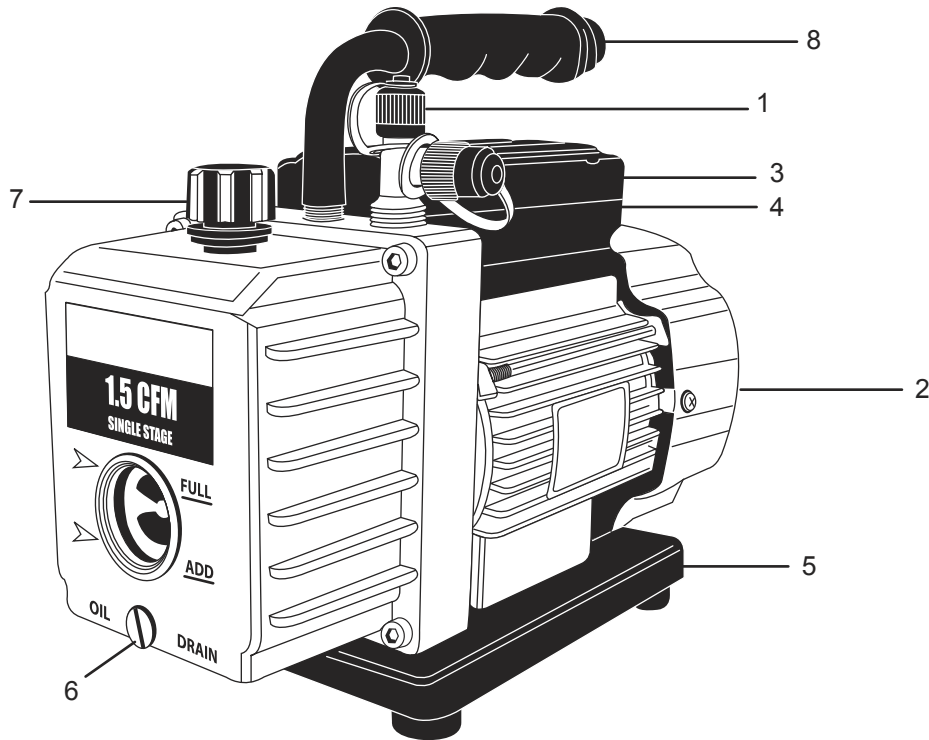




**Mastercool**<sup>®</sup> Inc.  
"World Class Quality"

**1.5 CFM SINGLE STAGE  
VACUUM PUMP**

**REPAIRABLE PARTS BREAKDOWN  
(90059-R)**



REF. #	DESCRIPTION	PART #
1.	T-FITTING	90052-31
2.	FAN COVER	90059-FC
3.	110V POWER CORD	6535-110
4.	ON/OFF SWITCH	98300-006-59
5.	BASE PLATE	90059-BP
6.	OIL DRAIN FITTING WITH O-RINGS	90059-28
7.	EXHAUST FITTING	90059-10
8.	HANDLE	90060-40